

DATA SHEET



T 5870 EN

Series 240

Type 3241/3374 Electric Control Valve; Type 3241 Globe Valve

Type 3244/3374 Electric Control Valve; Type 3244 Three-way Valve



Application

Versatile control valves for industrial applications as well as for heating, ventilation and air-conditioning systems
DN 15 to 150 · PN 16 to 40 · Temperatures from -196 to +450 °C

Special features

Type 3244 Three-way Valve or Type 3241 Globe Valve with Type 3374 Electric Actuator

- Type 3241 Globe Valve
- Type 3244 Three-way Valve

Versions

The Type 3374 Electric Actuator is available in various versions (for details, refer to associated data sheet):

- With additional electrical equipment (limit contacts, resistance transmitter, positioner)

Options

- Electric control valves with other electric actuators, see associated data sheets
- Valves with pneumatic actuators
- Version tested according to DIN EN 14597 available

Conformity



Installation

The control valves can be installed in any desired position except with the actuator suspended downwards. The actuator is attached to the yoke with a fastening nut.

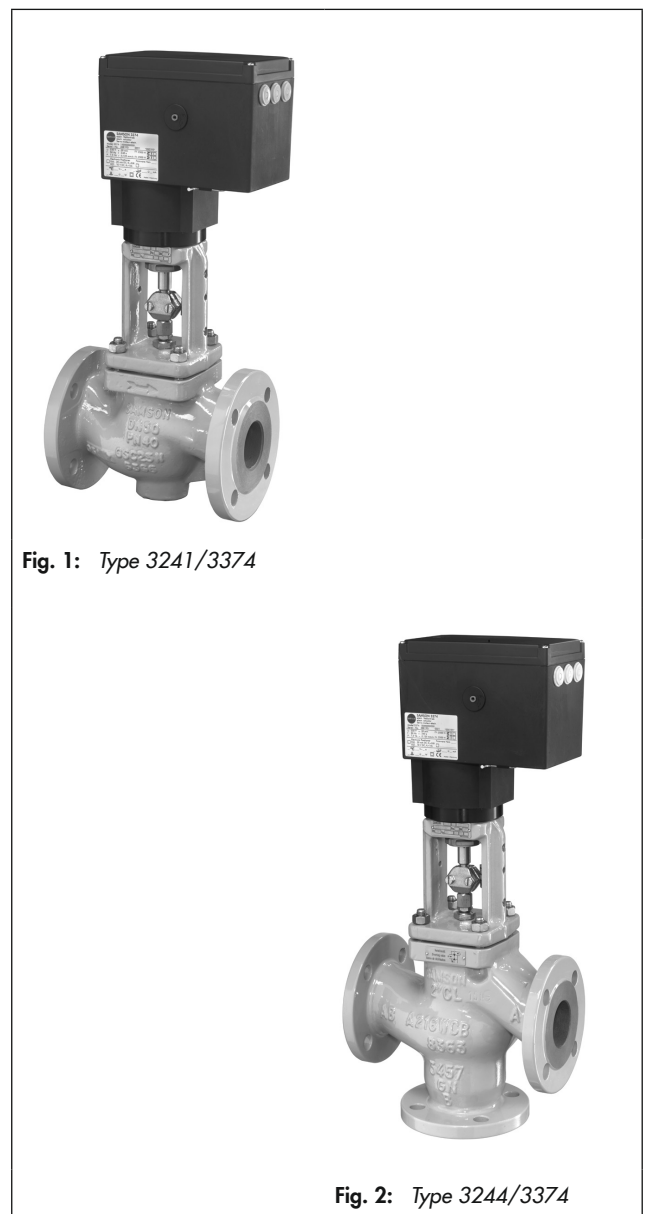


Fig. 1: Type 3241/3374

Fig. 2: Type 3244/3374

Table 1: Overview: Valve sizes, K_{VS} coefficients, seat diameters and permissible differential pressures Δp in bar when $p_2 = 0$ bar

Table 1.1: Types 3241/3374-15, -17

K_{VS} coefficient	0.1	0.16	0.25	0.4	0.63	1.0	1.6	2.5	4.0	6.3	10	16	25	40	60	63	80	100	160	200	260	
Seat Ø mm	3			6			12			24			31	38	48	63		80		100	110	130
Travel mm	15															30	15	30				
DN																						
15	•	•	•	•	•	•	•	•	•	•												
20	•	•	•	•	•	•	•	•	•	•												
25	•	•	•	•	•	•	•	•	•	•	•											
32				•	•	•	•	•	•	•	•	•										
40				•	•	•	•	•	•	•	•	•	•									
50				•	•	•	•	•	•	•	•	•	•	•								
65											•	•	•	•	•							
80											•	•	•	•	•		•					
100														•		•		•	•			
125														•		•		•	•	•		
150														•		•		•	•			•
Δp when $p_2 = 0$ bar																						
Without balanced plug																						
3374-15	40	40	40	40	40	40	40	40	40	40	40	26.5	17.5	10.6	5.8	5.8	3.4	3.4	2.0	1.5	1.0	
3374-17	-	-	-	40	40	40	40	40	40	40	40	40	37	23	13	13	7.5	7.5	4.5	3.5	2.5	
With PTFE pressure balancing, without bellows seal																						
3374-15	-	-	-	-	-	-	-	-	-	-	-	-	-	-	-	-	40	40	40	40	40	
3374-17	-	-	-	-	-	-	-	-	-	-	-	-	-	-	-	-	40	40	40	40	40	
With PTFE pressure balancing, with bellows seal																						
3374-15	-	-	-	-	-	-	-	-	-	-	-	-	-	-	-	-	40	12.1	10.3	9.4	7.4	
3374-17	-	-	-	-	-	-	-	-	-	-	-	-	-	-	-	-	40	34	32	30	28	

Table 1.2: Types 3244/3374-15, -17

K_{VS} coefficient	2	4	6.3	10	6.3	10	16	25	25	40	60	80	100	140	160	200	300	
Seat Ø mm	24				31			38	48			63	75	80	90	100	110	130
Travel mm	15												30					
DN																		
15	•	•																
20	•	•	•															
25	•	•	•	•														
32			•	•	•	•	•											
40			•	•	•	•	•	•										
50			•	•	•	•	•	•		•								
65								•	•	•								
80								•	•	•	•	•						
100													•		•			
125														•		•		
150																•	•	
Δp when $p_2 = 0$ bar																		
3374-15	40	40	40	40	26.8	26.8	26.8	17.5	10.6	10.6	5.8	3.9	3.3	2.5	1.9	1.5	1.0	
3374-17	40	40	40	40	40	40	40	37	23	23	13	9	7.8	6	4.8	3.9	2.7	

Table 2: Dimensions and weights

Table 2.1: Type 3241 Valve (without actuator)

Valve size	DN	15	20	25	32	40	50	65	80	100	125	150
Length L	mm	130	150	160	180	200	230	290	310	350	400	480
Height H1	mm	H2 + H										
Height H2	mm	222	222	222	223	223	223	262	262	354	363	390
Height H3	mm	61	61	61	61	61	61	61	61	75	75	75
Height H4, fail-close	mm	75	75	75	75	75	75	75	75	90	90	90
Height H5	mm	44	44	44	72	72	72	98	98	118	144	175
Weight	kg (approx.)	6	7.5	8	12	14	18	29	34	52	81	108

Table 2.2: Type 3241 Valve with insulating section or bellows seal (without actuator)

Valve size	DN	15	20	25	32	40	50	65	80	100	125	150	
Height H9	Short/with bellows	mm	409	409	409	410	410	410	451	451	636	645	672
	Long/long with bellows	mm	713	713	713	714	714	714	755	755	877	886	913
Weight	Short/with bellows	kg	9	10.5	11	18	20	24	37	42	70	106	138
	Long/long with bellows	kg	13	14.5	15	22	24	28	41	46	78	114	146

Table 2.3: Type 3241 Valve with heating jacket (not for valve body made of EN-GJL-250 or EN-GJS-400-18-LT)

Valve size	DN	25	32 to 50	65 to 80	100
a	mm	110	140	180	200
b	mm	15	20	35	50
c	mm	140	170	215	255

Table 2.4: Type 3374 Actuator

Height H	mm	220
Height H6	mm	150 (min. clearance required to disassemble the actuator)/300 (cover screws are mounted from top)
Weight	kg (approx.)	3.3

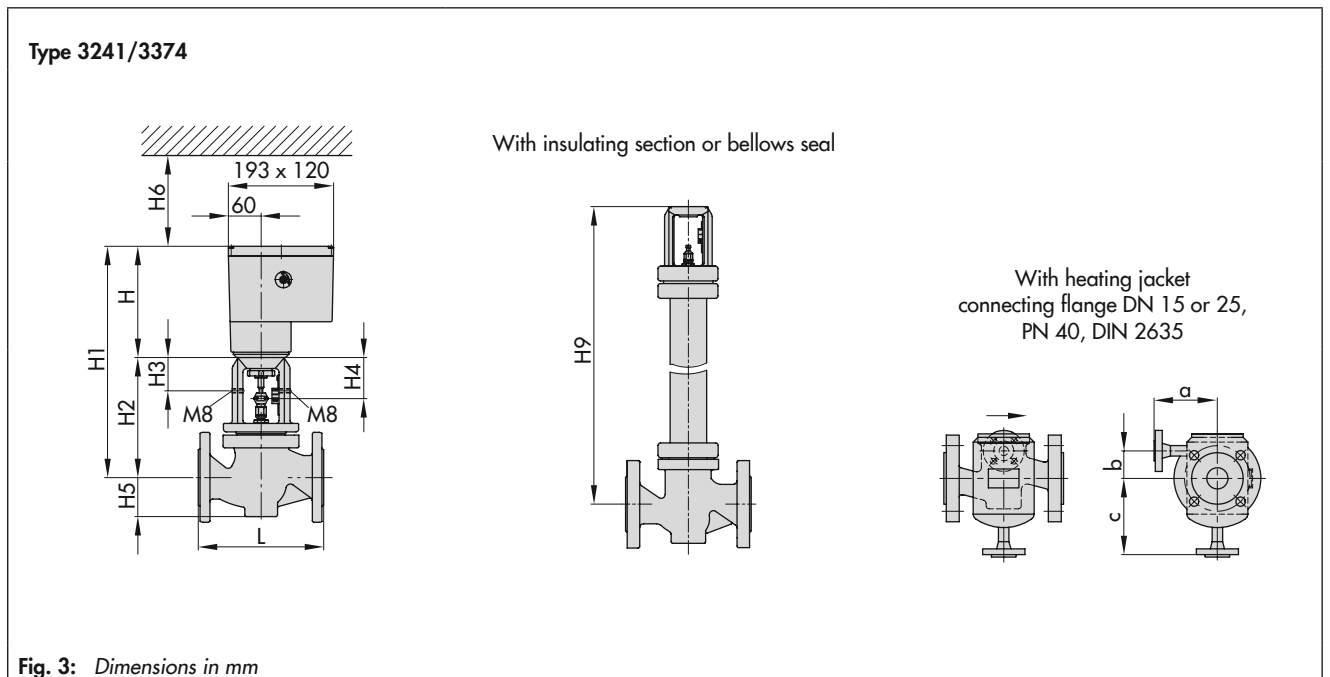


Table 2.5: Type 3244 Valve (without actuator)

Valve size	DN	15	20	25	32	40	50	65	80	100	125	150
Length L	mm	130	150	160	180	200	230	290	310	350	400	480
Height L1	mm	70	80	85	100	105	120	130	140	150	200	210
Height H1	mm	H2 + H										
Height H2	mm	235	235	235	235	235	235	270	270	360	375	375
Height H3	mm	61	61	61	61	61	61	61	61	75	75	75
Height H4, stem extended	mm	75	75	75	75	75	75	75	75	90	90	90
Weight	kg (approx.)	6	7	8	13	15	17	31	37	49	95	135

Table 2.6: Type 3244 Valve with insulating section or bellows seal (without actuator)

Valve size	DN	15	20	25	32	40	50	65	80	100	125	150
Height H9	Short/with bellows	mm	420	420	420	420	420	420	455	455	645	655
	Long/long with bellows	mm	725	725	725	725	725	725	760	760	895	900
Weight	Short/with bellows	kg	9	10	11	19	21	23	40	45	68	120
	Long/long with bellows	kg	13	14	15	23	25	27	44	49	76	128

Table 2.7: Type 3374 Actuator

Height H	mm	220
Height H6	mm	150 (min. clearance required to disassemble the actuator)/300 (cover screws are mounted from top)
Weight	kg (approx.)	3.3

Type 3244/3374

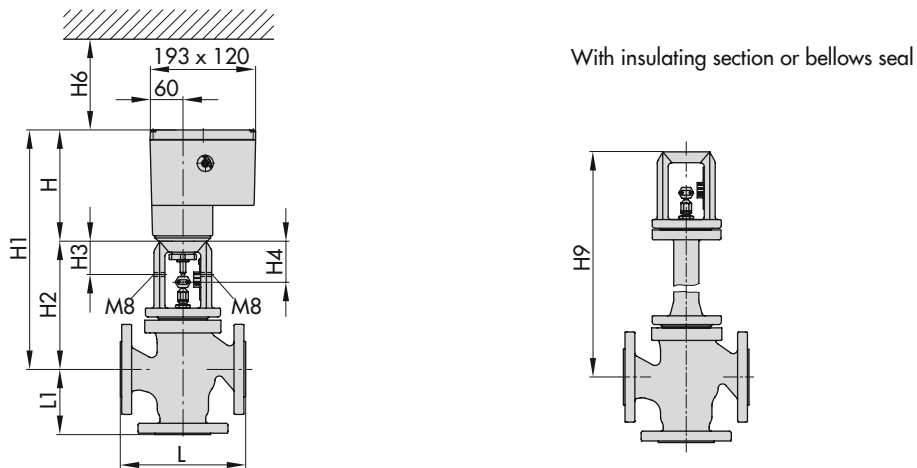


Fig. 4: Dimensions in mm

Ordering text

- Electric control valve · Type 3241/3374 or Type 3244/3374
- DN ..., body material, PN ...
- For Type 3244 Valve: mixing or diverting valve
- Type 3374 Actuator:
 - Supply voltage of version with three-step signal:
 - 230 V/50 or 60 Hz
 - 24 V/50 or 60 Hz
 - Supply voltage of version with positioner:
 - 85 to 264 V/50 and 60 Hz
 - 24 V/50 and 60 Hz and DC
- Optionally, special version

Associated Data Sheets

▶ T 8015

▶ T 8026

▶ T 8331

Associated Mounting and Operating Instructions

▶ EB 8015

▶ EB 8026

▶ EB 8331-3

▶ EB 8331-4

